



Z-FSB-H-1/4

The Z key exchange box is designed to enable the release of keys by insertion of an initial key. The Z box is suitable for releasing up to five keys in any order once the isolation (end key) has been inserted. The requirement for this type of product usually arises due to there being more keys required than the initial isolation system supplies. The unit will generally be the link between the isolation locks and the access products. The Z box is supplied in an enclosure suitable for surface mounting.

Operation

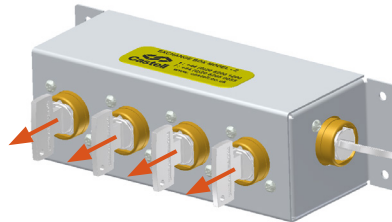
Castell Key Exchange Boxes are used in various applications to control multi-door accesses to hazardous areas.

Z key exchange box, horizontal mount (1 key free - 3 keys trapped)

① End key is free, 4 front keys trapped



② Insert and turn end key, then turn and release front keys in any order



③ End key is trapped, 4 front keys are free



1. While the isolation key is free, this is usually trapped in the power isolator, the access keys, positioned on the front, are trapped.
2. By inserting the isolation key the access keys are released in any order. Once the first access key has been removed the isolation key will be trapped. The access keys can then be used to access the protected area via access locks.
3. The isolation key remains trapped until all the access keys have been returned

The Z key exchange box is available with up to five front keys and also in a vertical mounting version.

Usage

Z key exchange boxes should be used to allow a safe access to potential hazardous and dangerous areas with one or more access points.



The Z key exchange box is not designed for security purposes, such as a safe or external access to a building.

No hazardous substances were used in the manufacture of this product. The product can be disposed of in standard waste.

Installation

The Z key exchange box should normally be mounted on the static frame using suitable fasteners. Please refer to the drawing on page 4 for maximum and minimum mounting distance. The Z key exchange boxes are available in horizontal and vertical mounting versions. Anti vibration pads should be used on machines that generate a high level of vibration



IMPORTANT:

The Z key exchange box should be mounted using anti-tamper fasteners to prevent unauthorised removal.



The Z key exchange box must be installed by a competent and qualified person who has read and understood these instructions. Please retain this document in your technical file.

Maintenance

Periodic visual checks should be carried out by the site manager/safety officer.
Do not lubricate lock barrel with oil or grease, use CK Dry Powder Graphite if necessary.



In case of defects being detected please contact your nearest Castell Support Department for further actions.
Please see Contact section for contact details.

Technical Data

| | |
|---------------------------|---|
| Temperature rating | Minimum: -40°C [-40°F] ice free for Q & FS type |
| | Maximum: 107°C [224,6°F] for Q type/140°C [284°F] for FS type or 288°C [550°F] upon request |
| Type of mounting | surface mount using suitable fasteners |
| Weight | Brass: 1 kg for 2 lock options, add 0,5 kg per additional portion |
| Material | Brass |
| MTTF Certification | Available on request |

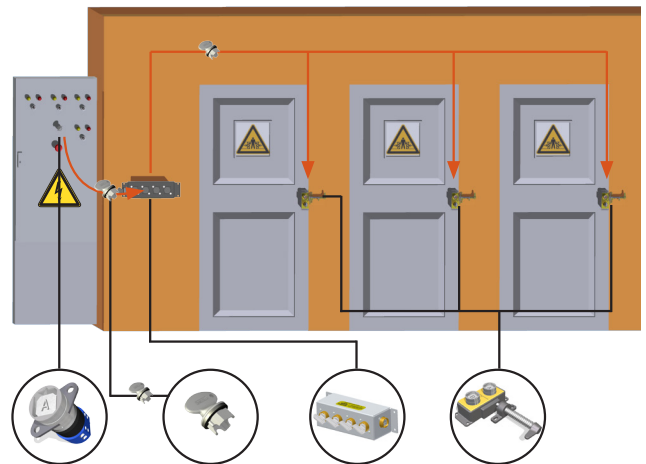
Application

A typical application of the Z Key Exchange Box is machine guarding with one or more access points to the hazardous area.

The key exchange box is used as a part of a safety system, which ensures a machine is shut down, before access to the hazardous area is allowed. The system involves a KS key switch for the electrical supply and typically more than one AIE access interlocks for full body access.

The removal of the isolation key from the key switch isolates the electrical supply to the machine. This key is taken to the Z key exchange box to release the trapped keys. The released keys are used to gain access through the AIE access interlocks.

The machine cannot be restarted until all keys are returned to the Z key exchange box and the power isolation key is released and replaced in the KS key switch.



EC-Declaration

We, the manufacturers, declare that the components, detailed herein and placed on the market, comply with all the essential health and safety requirements applying to them.

Empowered signatory:

Mr T.C. Whelan
Managing Director

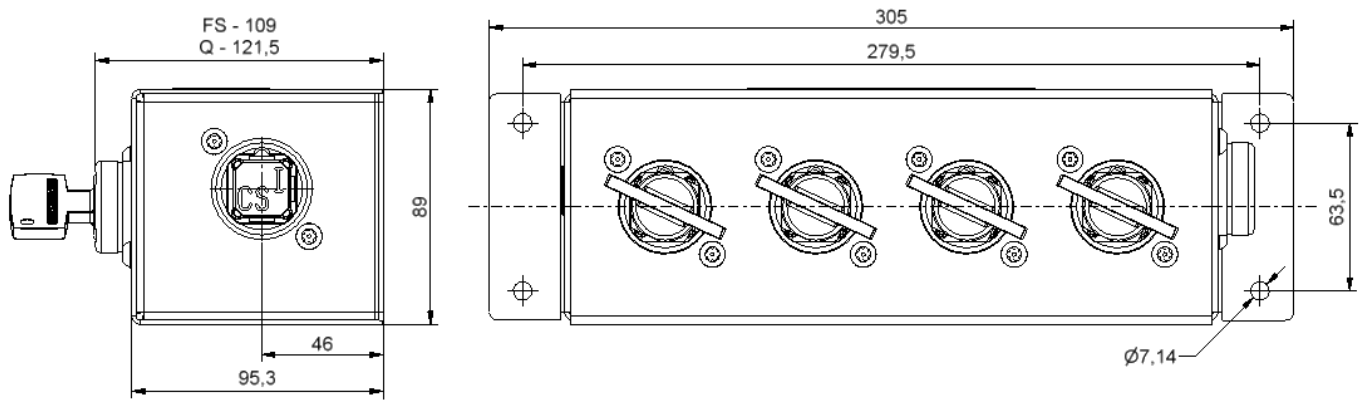


Drawing

Dimensions:
in mm

Note: For safe mounting, use security screws

Z key exchange box, horizontal mount



Order Information

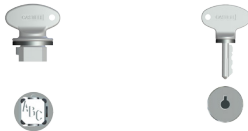
Product Type **1** **2** **3** **4** **5**
Part Number - - - - -
Example - - - /

6
 End Lock Symbol

7
 Front Lock Symbol(s)


| | | |
|----------|--|--|
| 1 | Lock portion type | FS ⁽¹⁾ / Q ⁽¹⁾ |
| 2 | Material | B = Brass (standard) |
| 3 | Mounting | H = Horizontal V = Vertical |
| 4 | Number of End Keys | 1 (standard) |
| 5 | Number of Front Keys | please specify |
| 6 | Lock portion symbol - End Key | FS ⁽¹⁾ up to 3 characters / Q ⁽¹⁾ up to 6 characters |
| 7 | Lock portion symbol(s) - Front Key(s), all to be advised separately | FS ⁽¹⁾ up to 3 characters / Q ⁽¹⁾ up to 6 characters |

(1) **FS - Lock type** **Q - Lock type**
 Up to 3 characters Up to 6 characters



Special construction available upon enquiry

Accessories

| | Product | Part number |
|---|----------|-------------|
|  | Flip Cap | FLIP-S |

Contact Information

Castell Safety International Ltd.
 The Castell Building
 217 Kingsbury Road
 London, England NW9 9PQ

t: +44 (0) 20 8200 1200
 f: +44 (0) 20 8905 9378
 e: uksales@castell.com

Castell Safety International Ltd.
 Oskar-Jäger-Strasse 137
 50825 Köln
 Germany

t: +49 (0) 221 1694 794
 f: +49 (0) 221 1694 795
 e: vertrieb@castell.com

Castell Interlocks Inc.
 Suite 800
 150 N Michigan Avenue,
 Chicago, Illinois 60601
 USA

t: +1.312.360.1516
 f: +1.312.268.5174
 e: ussales@castell.com

Castell Safety China
 Building 1, No. 123,
 Lane 1165, Jindu Road,
 Minhang District,
 Shanghai 201108, China.

t: +86 21 61519023
 f: +86 21 61519030
 e: chinasales@castell.com

While every effort has been made to ensure the accuracy of the information provided, no liability can be taken for any errors or omission. Castell Safety International Limited reserves the right to alter specifications and introduce improvements without prior notice.